



**Electrolux**  
PROFESSIONAL

**Modular Cooking Range Line  
700XP Freestanding Gas Boiling  
Pan 60lt indirect heat (60HZ)**

ITEM # \_\_\_\_\_

MODEL # \_\_\_\_\_

NAME # \_\_\_\_\_

SIS # \_\_\_\_\_

AIA # \_\_\_\_\_



371274 (E7BSGHIN4)

60-lt indirect gas Boiling Pan

**Short Form Specification**

**Item No.** \_\_\_\_\_

To be installed on height adjustable feet in stainless steel. Suitable for natural gas or LPG. Robust burners in stainless steel with flame failure device and protected pilot light. Temperature is controlled by a power regulator; heating elements with temperature limiter. Exterior panels in stainless steel with Scotch Brite finish. One piece pressed work top in 1.5 mm thick stainless steel. Right-angled side edges to allow flush-fitting junction between units.

**Main Features**

- Sides of vessel with satin finishing for easy cleaning.
- Minimum load for correct functioning is 20 liters.

**Construction**

- The tanks are welded in two parts, the side band is in AISI 304, bottom is in ASI 316L, lids are in AISI 304.

**Optional Accessories**

- Junction sealing kit PNC 206086
- Matching ring for flue condenser, 120 mm diameter PNC 206127
- Draught diverter, 150 mm diameter PNC 206132
- Matching ring for flue condenser, 150 mm diameter PNC 206133
- Kit 4 wheels - 2 swivelling with brake - it is mandatory to install Base support and wheels PNC 206135
- Flanged feet kit PNC 206136
- Frontal kicking strip for concrete installation, 400mm PNC 206147
- Frontal kicking strip for concrete installation, 800mm PNC 206148
- Frontal kicking strip for concrete installation, 1000mm PNC 206150
- Frontal kicking strip for concrete installation, 1200mm PNC 206151
- Frontal kicking strip for concrete installation, 1600mm PNC 206152
- Frontal kicking strip, 800mm (not for refr-freezer base) PNC 206176
- Frontal kicking strip, 1000mm (not for refr-freezer base) PNC 206177
- Frontal kicking strip, 1200mm (not for refr-freezer base) PNC 206178
- Frontal kicking strip, 1600mm (not for refr-freezer base) PNC 206179
- Kit 4 feet for concrete installation (not for 900 line free standing grill) PNC 206210
- Flue condenser for 1 module, 150 mm diameter PNC 206246
- Pair of side kicking strips PNC 206249
- Pair of side kicking strips for concrete installation PNC 206265
- Chimney upstand, 800mm PNC 206304
- Right and left side handrails PNC 206307
- Back handrail 800 mm PNC 206308
- Base support for feet or wheels - 400mm (700/900) PNC 206366
- Base support for feet or wheels - 800mm (700/900) PNC 206367
- Base support for feet or wheels - 1200mm (700/900) PNC 206368
- Base support for feet or wheels - 1600mm (700/900) PNC 206369
- Base support for feet or wheels - 2000mm (700/900) PNC 206370

**APPROVAL:** \_\_\_\_\_

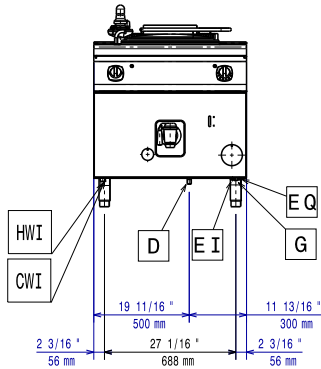


Experience the Excellence  
www.electroluxprofessional.com

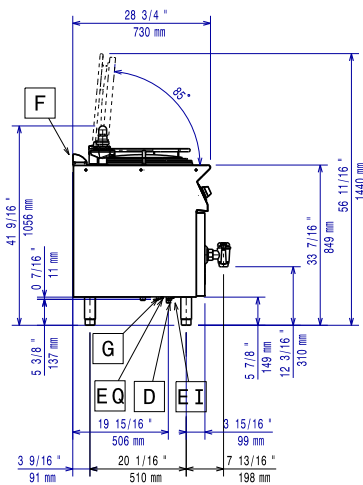


- Rear paneling - 800mm (700/900) PNC 206374
- Rear paneling - 1000mm (700/900) PNC 206375
- Rear paneling - 1200mm (700/900) PNC 206376
- 2 side covering panels for free standing appliances PNC 216000
- Frontal handrail, 800mm PNC 216047
- Frontal handrail, 1200mm PNC 216049
- Large handrail - portioning shelf, 800mm PNC 216186
- 1-section noodle basket for 60lt boiling pans PNC 921626
- Trolley with lifting & removable tank PNC 922403
- Measuring rod for 60 l Boiling Pan PNC 927000
- Pressure regulator for gas units PNC 927225

Front

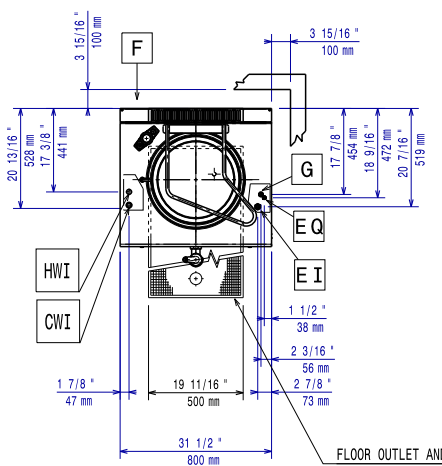


Side



- CWI1 = Cold Water inlet 1 (cleaning)      HWI = Hot water inlet  
 D = Drain  
 EI = Electrical inlet (power)  
 G = Gas connection

Top



## Electric

### Supply voltage:

371274 (E7BSGHIN4)

230 V/1N ph/60 Hz

### Total Watts:

0.1 kW

## Gas

### Gas Power:

14 kW

### Standard gas delivery:

Natural Gas G20 (20mbar)

### Gas Type Option:

LPG

### Gas Inlet:

1/2"

## Water:

### Water drain outlet size:

1"1/2

## Key Information:

### Pan useful capacity:

60 lt

### Vessel (round) diameter:

420 mm

### Net weight:

100 kg

### Shipping weight:

99 kg

### Shipping height:

1140 mm

### Shipping width:

900 mm

### Shipping depth:

820 mm

### Shipping volume:

 0.84 m<sup>3</sup>

No clearance needed on rear sides of unit if wall is of non combustible type. If wall is combustible, minimum 50 mm wall clearance should be maintained.

### Certification group:

N7PG